

TRICO STYLE SUCKER ROD WRENCHES

Texas Products WSD carries Trico style Sucker Rod Wrenches These wrenches are made of high quality heat treated alloy steel and feature a smooth "snap-up" hammer action to quickly break the toughest rod or coupling joint.

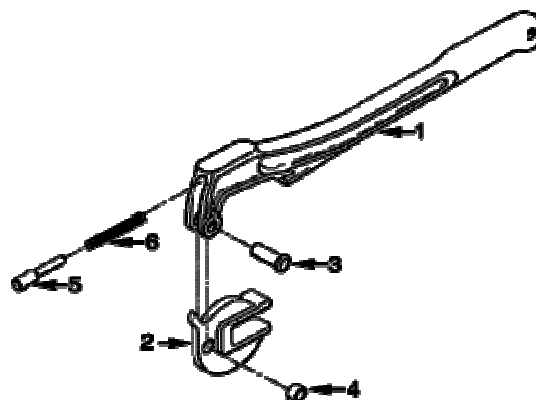
PART NUMBERS & INFORMATION

SUCKER ROD WRENCHES - SQUARE TYPE			
PART NUMBER	SUCKER ROD (IN.)	LENGTH (IN.)	WEIGHT (LBS)
TP800058	5/8	19	6
TP803478	3/4 - 7/8	19	6
TP800010	1	19	7
TP800118	1 1/8	19	7



PART LAYOUT & DESCRIPTION

SUCKER ROD WRENCHES - SQUARE TYPE		
KEY NUMBER	PART DESCRIPTION	QTY REQUIRED
1	HANDLE	1
2	JAW	1
REPAIR KIT		
3	RIVET	1
4	BUSHING	1
5	PLUNGER	1
6	SPRING	1



WARNING! Protect yourself and others from SERIOUS INJURY!
 Never use a "CHEATER" or any other means to extend handle! If wrench slips you can be hurt or injure other workers!



HANDLING TOOLS

TRICO STYLE ROD HOOK

The Trico style Rod Hook is designed with a load rating of 25 tons. The specially designed "snap-in" latch mechanism lets the rod elevator bail hook in without the operator releasing the latch, while the bail is held securely in place until released.

PART NUMBERS & INFORMATION

HEAVY-LIFT SHORT SNAP-IN ROD HOOK	
PART NUMBER	PART DESCRIPTION
TP-J-RH25-35	ROD HOOK COMPLETE
TP-J-554-543-400	BEARING
TP-J-554-542-500	GREASE CAP
TP-J-554-544-800	HOUSING - SPRING
TP-J-554-544-400	LATCH
TP-J-554-544-200	LEVER
TP-J-554-542-901	NUT
TP-J-554-543-105	PIN - LATCH
TP-J-554-543-100	PIN - LEVER
TP-J-554-542-700	PLUG - BALL
TP-J-554-542-600	SCREW - GREASE CAP
TP-J-554-544-700	SPRING
TP-J-554-579-000	REPAIR KIT



MK STYLE ROD ELEVATORS

The MK style plate type Rod Elevators are unique with interchangeable heat treated steel plates for different size rods with ease of changing the plates when worn to limit wear on the elevator body.

PART NUMBERS & INFORMATION

PLATE TYPE ROD ELEVATOR	
PART NUMBER	PART DESCRIPTION
TP290-1040	ROD ELEVATOR ASSEMBLY
TP290-1040058	ROD ELEVATOR, 5/8" - 3/4"
TP290-1040078	ROD ELEVATOR, 3/4" - 7/8"
TP290-1040100	ROD ELEVATOR, 1"
TP290-1040118	ROD ELEVATOR, 1 1/8"
TP290-1040125	ROD ELEVATOR, 1 1/4"
TP290-9700	PLATE SCREW, ROD ELEVATOR
TP290-9900	PLATE, 1/2" - 5/8"
TP290-9905	PLATE, 5/8" - 3/4"
TP290-9910	PLATE, 3/4" - 7/8"
TP290-9915	PLATE, 1"
TP290-9920	PLATE, 1 1/8"
TP290-9925	PLATE, 1 1/4"
TP-RK-150	MINOR REPAIR KIT, 1/2" - 1 1/8"
TP-RK-125	MINOR REPAIR KIT, 1 1/4"



FLAT BACK TONG DIES

PART NUMBERS & INFORMATION

FLAT BACK TONG DIES - REFERENCE CHART			
PART NUMBER	OEM NUMBER	PART DESCRIPTION	QTY REQUIRED
TP27468	27462-2	TONG DIE, 1/2" X 1 1/4" X 3 7/8"	12
	101-251		
	337-02-098		
TP16401	16401-2	TONG DIE, 1/2" X 1 1/4" X 5"	12
	627-185-1500		
	103426		
	1616		
TP16402-2	16402-2	TONG DIE, 1/2" X 1 1/4" X 5 7/8"	12
	627-185-1578		
	4716		
TP2000-02	N/A	TONG DIE DRIVER, 1 1/4"	1

