

# SWABBING ACCESSORIES

## HYDRAULIC WIRELINE OIL SAVERS

### HYDRAULIC WIRELINE OIL SAVERS - ENGINEERING DATA

PART DESCRIPTION	STANDARD		METRIC	
	TYPE AND SIZE		TYPE AND SIZE	
	H	HD	H	HD
	20"	29"	508 <sup>MM</sup>	736.6 <sup>MM</sup>
<b>APPROXIMATE WEIGHT:</b>	---	---	---	---
OIL SAVER COMPLETE	92 <sup>LB</sup>	117 <sup>LB</sup>	41.73 <sup>KG</sup>	53.07 <sup>KG</sup>
OIL SAVER ONLY	48 <sup>LB</sup>	73 <sup>LB</sup>		33.11 <sup>KG</sup>
PUMP & HOSE	44 <sup>LB</sup>	44 <sup>LB</sup>	19.96 <sup>KG</sup>	19.96 <sup>KG</sup>
I.D. LESS RUBBER & BUSHINGS	1 3/16"	1 3/16"	46.04 <sup>MM</sup>	46.04 <sup>MM</sup>
FLUID CAPACITY	6 <sup>PINTS</sup>	6 <sup>PINTS</sup>	2.84 <sup>L</sup>	2.84 <sup>L</sup>
<b>RUBBER CROSS-SECTIONAL AREA:</b>	---	---	---	---
LINE SIZE: BLANK - 5/16"	9.35 <sup>SQ IN</sup>	9.35 <sup>SQ IN</sup>	6032.3 <sup>MM2</sup>	6032.3 <sup>MM2</sup>
LINE SIZE: 3/8" - 5/8"	9.14 <sup>SQ IN</sup>	9.14 <sup>SQ IN</sup>	5896.8 <sup>MM2</sup>	5896.8 <sup>MM2</sup>
LINE SIZE: 3/4" - 1"	8.63 <sup>SQ IN</sup>	8.63 <sup>SQ IN</sup>	5567.7 <sup>MM2</sup>	5567.7 <sup>MM2</sup>
<b>PIN THREAD CONNECTION:</b>	---	---	---	---
2 3/8" O.D.	8 <sup>RD EUE</sup>	8 <sup>RD EUE</sup>	---	---
2 7/8" O.D.	8 <sup>RD EUE</sup>	8 <sup>RD EUE</sup>	---	---
3 1/2" O.D.	8 <sup>VLP</sup>	8 <sup>VLP</sup>	---	---
<b>PUMP &amp; HOSE RATING:</b>	---	---	---	---
PUMP PRESSURE RATING	3000 <sup>PSI</sup>	3000 <sup>PSI</sup>	20700 <sup>KPA</sup>	20700 <sup>KPA</sup>
PUMP TEST PRESSURE	3000 <sup>PSI</sup>	3000 <sup>PSI</sup>	20700 <sup>KPA</sup>	20700 <sup>KPA</sup>
HOSE LENGTH	50' <sup>FT</sup>	50' <sup>FT</sup>	15.24 <sup>M</sup>	15.24 <sup>M</sup>

### HYDRAULIC WIRELINE OIL SAVERS - PART NUMBERS

PART DESCRIPTION	PART NUMBERS	
	H	HD
<b>OIL SAVER WITH PUMP &amp; 50' HOSE:</b>	---	---
2 3/8" O.D. 8RD EUE PIN, BLANK - 5/16" LINE	TP42887	TP54715
2 7/8" O.D. 8RD EUE PIN, BLANK - 5/16" LINE	TP42888	TP54718
3 1/2" O.D. 8V LP PIN, BLANK - 5/16" LINE	TP42889	TP54720
2 3/8" O.D. 8RD EUE PIN, 3/8" - 5/8" LINE	TP41427	TP54716
2 7/8" O.D. 8RD EUE PIN, 3/8" - 5/8" LINE	TP41428	TP44371
3 1/2" O.D. 8V LP PIN, 3/8" - 5/8" LINE	TP41429	TP54721
<b>OIL SAVER ONLY:</b>	---	---
2 3/8" O.D. 8RD EUE PIN, BLANK - 5/16" LINE	TP42884	---
2 7/8" O.D. 8RD EUE PIN, BLANK - 5/16" LINE	TP42885	TP54726
3 1/2" O.D. 8V LP PIN, BLANK - 5/16" LINE	TP42886	TP54728
2 3/8" O.D. 8RD EUE PIN, 3/8" - 5/8" LINE	TP40643	TP54724
2 7/8" O.D. 8RD EUE PIN, 3/8" - 5/8" LINE	TP41064	TP44247
3 1/2" O.D. 8V LP PIN, 3/8" - 5/8" LINE	TP41065	TP54729
<b>PUMPS &amp; REPAIR KITS:</b>	---	---
PUMP ONLY (PINE)	TP40661	TP40661
PUMP REPAIR KIT (PINE)	TP53729	TP53729
PUMP ONLY (STAR)	TP68883	TP68883
PUMP REPAIR KIT (STAR)	TP68829	TP68829
OIL SAVER REPAIR KIT	TP53728	TP53728
<b>OIL SAVER RUBBER:</b>	---	---
BLANK - 5/16"	TP42883	TP42883
3/8" - 5/8" (STANDARD, BLACK)	TP39675	TP39675
3/8" - 5/8" (LIGHT DUTY, BLUE)	TP89659	TP89659
3/4"	TP41572	TP41572
<b>ACCESSORIES / OPTIONAL:</b>	---	---
HOSE ASSEMBLY, 50' FT	TP40631	TP40631
HOSE CAP (2) *	TP45268	TP45268
HOSE PLUG (2) *	TP45269	TP45269
<b>BUSHING WITH CLIPS:</b>	---	---
BUSHING SPACER FOR HD WLOS	---	TP40275
BLANK - 5/16"	TP42878	TP42878
3/8" - 5/8"	TP46176	TP46176

() \* Indicates the quantity required for Hose Assembly parts.

\* Protect the Hose from dust and contamination at all times.



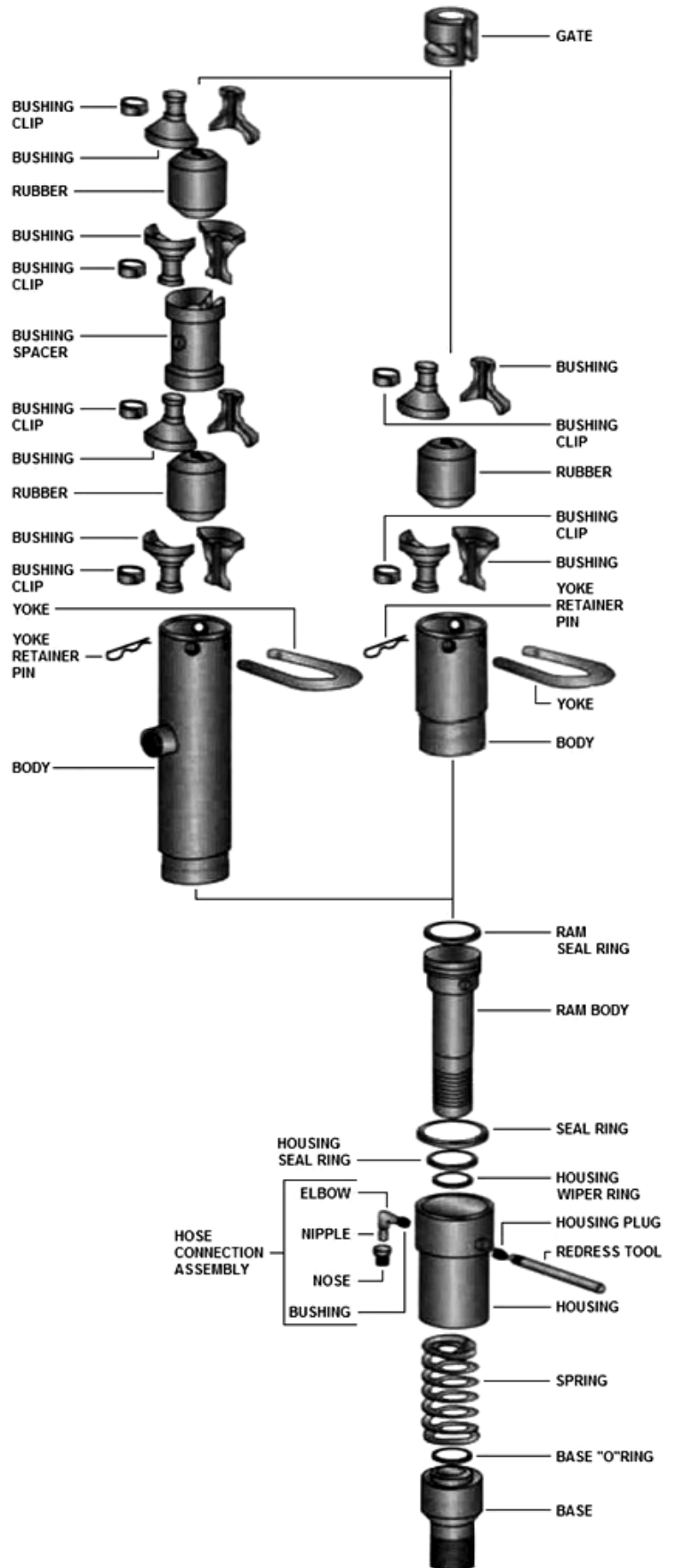
TYPE H

TYPE HD

TYPE H & HD WIRELINE OIL SAVERS PART NUMBER & BREAKDOWN

PARTS DESCRIPTION	QTY REQUIRED	TYPE & NUMBER	
		H	HD
BASE	1	-	-
2 3/8" OD 8RD EUE PIN	-	TP40624	TP40624
2 7/8" OD 8RD EUE PIN	-	TP40623	TP40623
3 1/2" OD 8V LP PIN	-	TP40726	TP40726
REPAIR KIT	1	TP53728	TP53728
Ⓢ BASE "O" RING	(1)	TP16589	TP16589
Ⓢ HOUSING WIPER RING	(1)	TP39679	TP39679
Ⓢ HOUSING SEAL RING	(1)	TP17468	TP17468
Ⓢ BODY SEAL RING	(1)	TP25790	TP25790
Ⓢ O'RING (RAM SEAL RING)	(1)	TP88614	TP88614
HOUSING	1	TP40617	TP40617
SPRING	1	TP39676	TP39676
RAM	1	TP40622	TP40622
REDRESSING TOOL	1	TP40642	TP40642
HOUSING BUSHING	1	TP31742	TP31742
HOUSING ELBOW	1	TP40639	TP40639
HOUSING NIPPLE	1	TP50964	TP50964
HOUSING NOSE	1	TP40629	TP40629
HOUSING PLUG	1	TP13550	TP13550
BODY	1	TP39670	TP40274
* BUSHING W/ CLIPS (SETS)	2	-	-
BLANK - 5/16"	-	TP42878	TP42878
3/8" - 5/8"	-	TP46176	TP46176
3/4" - 1"	-	TP41571	TP41571
BUSHING SPACER	1	- - -	TP40275
** RUBBER	1	-	-
BLANK - 5/16"	-	TP42883	TP42883
3/8" - 5/8" (STD. - BLACK)	-	TP39675	TP39675
3/8" - 5/8" (LIGHT - BLUE)	-	TP89659	TP89659
3/4"	-	TP41572	TP41572
GATE	1	TP39672	TP39672
YOKE	1	TP27484	TP27484
YOKE RETAINER	1	TP54509	TP54509
HOSE ASSEMBLY - 50' FT	1	TP40631	TP40631
HOSE COUPLING	2	TP40630	TP40630

\* (2) Sets for Type H ; (4) Sets for Type HD.  
 \*\* (1) Each for Type H ; (2) Each for Type HD.  
 Ⓢ Indicates parts of assembly required for repair kit above.



# SWABBING ACCESSORIES

## HYDRAULIC WIRELINE OIL SAVERS

### STAR PUMP - PART NUMBERS

ITEM NUMBER	PART NUMBER	PART DESCRIPTION	QTY REQUIRED
1	TP68883	PUMP ASSEMBLY	1
2 *	TP68860	PLUG, FILL	1
3 *	TP68863	FITTING, RELIEF	1
4 *	TP68854	SOCKET	1
5 *	TP68857	HANDLE, LEVER	1
6 *	TP68861	PIN	3
7 *	TP68858	LINK	1
8 *	TP68862	PISTON	1
9 *	TP68856	BARREL	1
10 *	TP68855	RING RETAINER	6
11 *	TP82589	PRESSURE RELIEF VALVE S/A	1
12 *	TP68869	PLUG, PIPE	1
13 *	TP82588	FILTER	1
14	TP40642	ASSEMBLY TOOL	1
15	TP40655	NUT	4
16	TP40652	BOLT	4
17	TP12758	LOCK WASHER	4
18	TP40662	PUMP BASE	1
19	TP40654	GAGE	1
20	TP40629	NOSE	1
21	TP59064	SHORT NIPPLE	1
22	TP27863	LONG NIPPLE	1
23	TP40640	TEE	1
24	TP40653	WASHER	4
25	TP40639	ELBOW	1
26	TP68829	REPAIR KIT	1

\* Quantity required indicates part of assembly listed above.

