

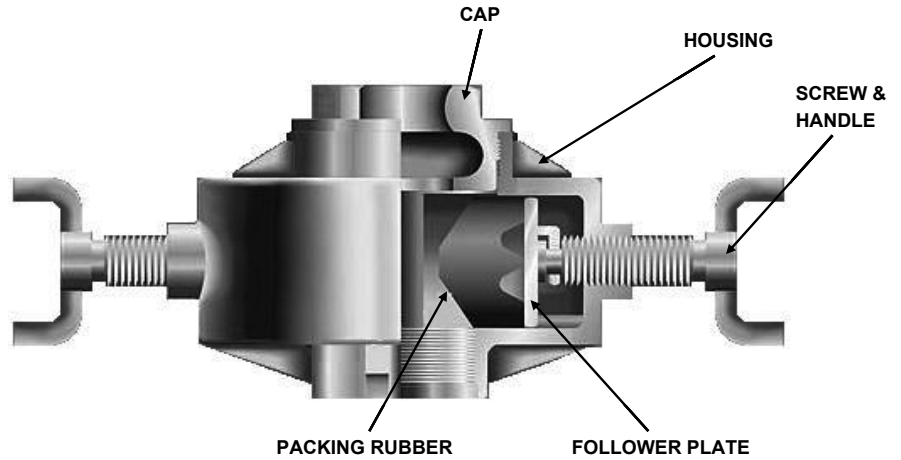
HANDLING TOOLS

SUCKER ROD STRIPPER

Texas Products WSD adjustable Sucker Rod Stripper works when pulling or running rods or pipe. Packing elements strip oil and paraffin from rods or piping of any size, as they are being pulled. This action not only promotes a cleaner and safer working environment, but also saves time and money during pulling operations

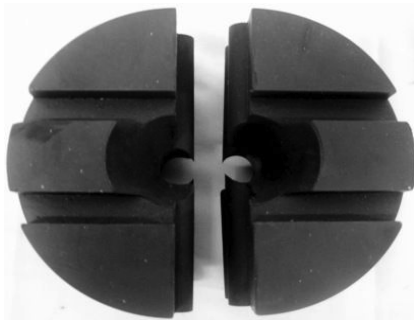
MATERIAL	DUCTILE IRON
HEIGHT (IN.)	9 1/2"
WEIGHT (LBS)	63#
ELASTOMER	45 DURO NATSYN
MINIMUM BORE (IN.)	2 9/16"
THREAD SIZE (IN.)	3" LP

Hydraulic Sucker Rod Stripper available on request.



STRIPPER RUBBERS

Two types of packing are available for this stripper. The TP-2WR packing, being a medium hard rubber and is used to strip all sizes of rods whether in combination strings or not. Then there's the TP-3WR packing, which is a soft rubber and can be ordered in any of the following three models: TP-3WR for all sucker rods; TP-3WR-1 for 1" pipe, and TP-3WR-2 for 1 1/4" & 1 1/2" pipe.



2WR PACKING ELEMENTS